

PALANCOLE LARSEN

Profili	Momento di resistenza		Peso		Larghezza B	Profondità H	Spessore frontale T	Spessore ali laterali S	Perimetro	Superficie	Momento di superficie 2° grado
	Wy cm ³ /m parete	cm ³ /palancola singola	kg/m ² parete	kg/m palancola singola	mm	mm	mm	mm	sviluppo cm/m parete	acciaio cm ² /m parete	Jy cm ⁴ /m parete
<u>L755</u>	2000	580	127,5	95,6	750	450	11,7	10,0	256	162,4	45000
<u>L703</u>	1210	414	96,4	67,5	700	400	9,5	8,5	251	122,9	24200
<u>L703K</u>	1300	426	103,0	71,1	700	400	10,0	9,0	251	121,1	25950
<u>L703 10/10</u>	1340	437	108,0	75,6	700	400	10,0	10,0	251	137,6	26800
<u>L704</u>	1600	529	115,0	80,5	700	440	10,2	9,5	260	146,4	35200
<u>L600</u>	510	109	94,0	56,4	600	150	9,5	9,5	225	119,7	3840
<u>L601</u>	745	251	78,0	46,8	600	310	7,5	6,4	245	98,3	11520
<u>L602</u>	830	265	89,0	53,4	600	310	8,2	8,0	245	113,3	12870
<u>L603</u>	1200	330	108,0	64,8	600	310	9,7	8,2	260	138,3	18600
<u>L604 n</u>	1600	415	123,0	73,8	600	380	10,0	9,0	282	156,7	30400
<u>L605</u>	2020	520	139,2	83,5	600	420	12,5	9,0	290	177,3	42420
<u>L43</u>	1660	483	166,0	83,0	500	420	12,0	12,0	280	212,0	34900

PALANCOLE ARCELOR

Profili	Dimensioni				A	G _{sp}	G _w	I _y	W _{el,y}	S _y	W _{pl,y}
	b	h	t	s							
	mm	mm	mm	mm							
<u>PU 12</u>	600	360	9,8	9,0	140,0	66,1	110,1	21 600	1 200	715	1 457
<u>PU 12 10/10</u>	600	360	10,0	10,0	147,8	69,6	116,0	22 580	1 255	755	1 535
<u>PU 18⁻¹</u>	600	430	10,2	8,4	154,2	72,6	121,0	35 950	1 670	980	1 988
<u>PU 18</u>	600	430	11,2	9,0	163,3	76,9	128,2	38 650	1 800	1 055	2 134
<u>PU 22⁻¹</u>	600	450	11,1	9,0	173,9	81,9	136,5	46 380	2 060	1 195	2 422
<u>PU 22</u>	600	450	12,1	9,5	182,9	86,1	143,6	49 460	2 200	1 275	2 580
<u>PU 28⁻¹</u>	600	452	14,2	9,7	206,8	97,4	162,3	60 580	2 680	1 525	3 087
<u>PU 28</u>	600	454	15,2	10,1	216,1	101,8	169,6	64 460	2 840	1 620	3 269
<u>PU 32</u>	600	452	19,5	11,0	242,0	114,1	190,2	72 320	3 200	1 825	3 687

L755

LARSEN 755

Section width per D = 1500 mm

	Unit	Per m wall	Single pile	Double pile	Triple pile
Elastic section modulus¹⁾	W_y	cm ³	2000	580	3000
	W_z	cm ³	–	1921	–
Plastic section modulus ¹⁾	W_y	cm ³	2284	–	–
Weight		kg/m	127.5	95.6	191.2
Cross sectional area		cm ²	162.4	121.8	243.6
Circumference ²⁾		cm	256	221	414
Coating area ³⁾		m ² /m	2.56	2.09	4.02
Static moment	S_y	cm ³	1142	–	–
Second moment of inertia	I_y	cm ⁴	45000	9431	67500
	I_z	cm ⁴	–	75690	–
Radius of gyration	i_y	cm	16.65	8.80	16.65

1) Section modulus referred:

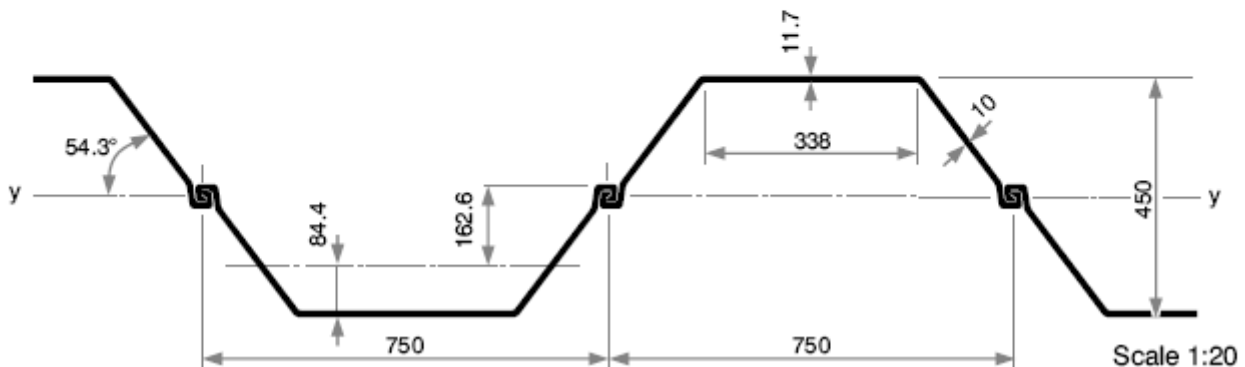
E and Dr – the heavy axis of the respective element; D and per m wall – the wall axis y-y.

The section modulus of D, Dr u. per m wall requires locking of the factory-crimped interlocks to accommodate the shear forces.

2) Including the internal surface of free interlocks of single, double and triple piles.

3) Without interlock interior – two-side coating.

4) Rolling/delivery on request only.



[torna all'inizio](#)

LARSEN 703

Section width per D = 1400 mm

	Unit	Per m wall	Single pile	Double pile	Triple pile
Elastic section modulus¹⁾	W_y	cm ³	1210	414	1700
	W_z	cm ³	–	1310	–
Plastic section modulus ¹⁾	W_y	cm ³	1460	–	–
Weight		kg/m	96.4	67.5	135.0
Cross sectional area		cm ²	122.9	86.0	172.0
Circumference ²⁾		cm	251	202	377
Coating area ³⁾		m ² /m	2.51	1.90	3.65
Static moment	S_y	cm ³	730	–	–
Second moment of inertia	I_y	cm ⁴	24200	5630	34000
	I_z	cm ⁴	–	48400	–
Radius of gyration	i_y	cm	13.90	8.00	13.90

1) Section modulus referred:

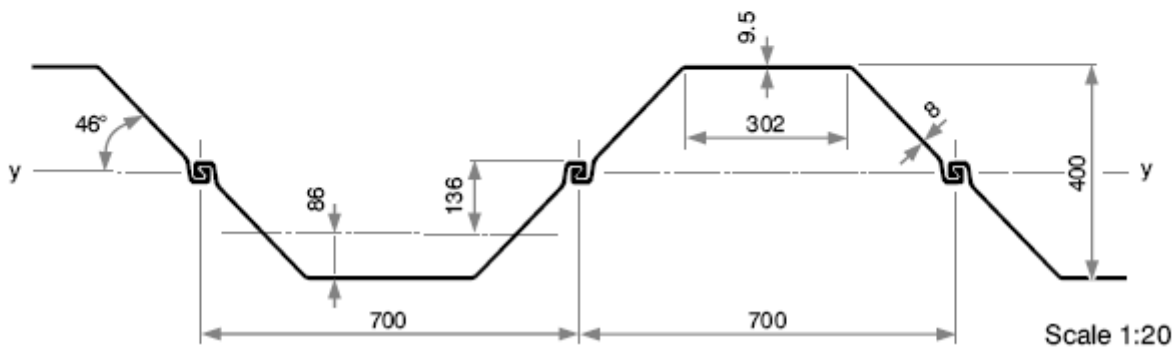
E and Dr – the heavy axis of the respective element; D and per m wall – the wall axis y-y.

The section modulus of D, Dr u. per m wall requires locking of the factory-crimped interlocks to accommodate the shear forces.

2) Including the internal surface of free interlocks of single, double and triple piles.

3) Without interlock interior – two-side coating.

4) Rolling/delivery on request only.



[torna all'inizio](#)

L703K

LARSEN 703

Section width per D = 1400 mm

	Unit	Per m wall	Single pile	Double pile	Triple pile
Elastic section modulus¹⁾	W_y	cm ³	1210	414	1700
	W_z	cm ³	–	1310	–
Plastic section modulus ¹⁾	W_p	cm ³	1460	–	–
Weight		kg/m	96.4	67.5	135.0
Cross sectional area		cm ²	122.9	86.0	172.0
Circumference ²⁾		cm	251	202	377
Coating area ³⁾		m ² /m	2.51	1.90	3.65
Static moment	S_y	cm ³	730	–	–
Second moment of inertia	I_y	cm ⁴	24200	5630	34000
	I_z	cm ⁴	–	48400	–
Radius of gyration	i_y	cm	13.90	8.00	13.90

1) Section modulus referred:

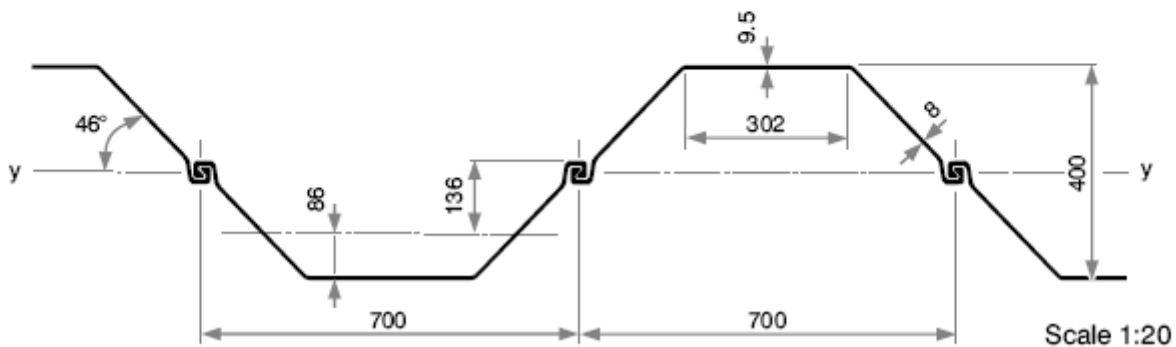
E and D_r – the heavy axis of the respective element; D and per m wall – the wall axis y-y.

The section modulus of D, D_r u. per m wall requires locking of the factory-crimped interlocks to accommodate the shear forces.

2) Including the internal surface of free interlocks of single, double and triple piles.

3) Without interlock interior – two-side coating.

4) Rolling/delivery on request only.



[torna all'inizio](#)

L703 10/10

LARSEN 703 10/10

Section width per D = 1400 mm

	Unit	Per m wall	Single pile	Double pile	Triple pile	
Elastic section modulus¹⁾	W_y	cm ³	1340	E 437	D 1880	Dr 2190
	W_z	cm ³	–	1470	–	–
Plastic section modulus ¹⁾	W_y	cm ³	1572	–	–	–
Weight		kg/m	108.0	75.6	151.2	226.8
Cross sectional area		cm ²	137.6	96.3	192.6	288.9
Circumference ²⁾		cm	251	202	377	553
Coating area ³⁾		m ² /m	2.51	1.90	3.65	5.41
Static moment	S_y	cm ³	786	–	–	–
Second moment of inertia	I_y	cm ⁴	26800	5960	37600	52120
	I_z	cm ⁴	–	54240	–	–
Radius of gyration	i_y	cm	13.90	7.90	13.90	13.40

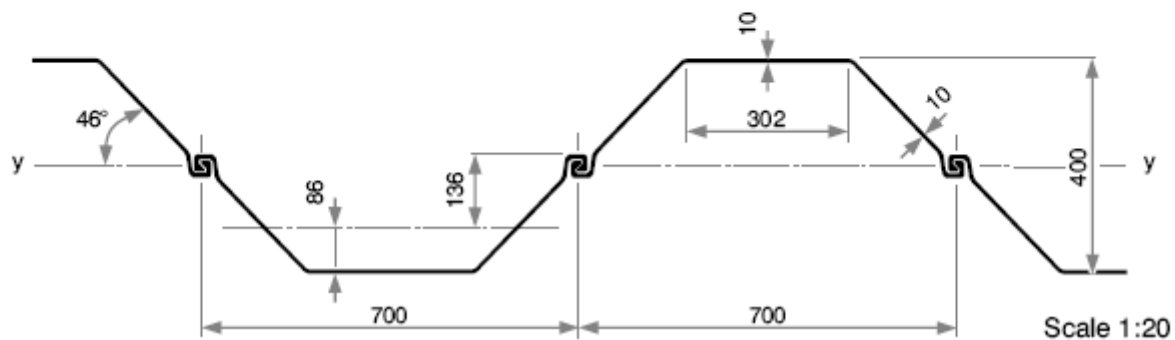
1) Section modulus referred:

E and Dr – the heavy axis of the respective element; D and per m wall – the wall axis y-y.

The section modulus of D, Dr u. per m wall requires locking of the factory-crimped interlocks to accommodate the shear forces.

2) Including the internal surface of free interlocks of single, double and triple piles.

3) Without interlock interior – two-side coating.



[torna all'inizio](#)

L704

LARSEN 704

Section width per D = 1400 mm

		Unit	Per m wall	Single pile	Double pile	Triple pile
Elastic section modulus¹⁾	W_y	cm ³	1600	E	D	Dr ⁴⁾
	W_z	cm ³	–	1320	–	–
Plastic section modulus ¹⁾	W_y	cm ³	1864	–	–	–
Weight		kg/m	115.0	80.5	161.0	241.5
Cross sectional area		cm ²	146.4	102.5	205.0	307.5
Circumference ²⁾		cm	260	211	392	574
Coating area ³⁾		m ² /m	2.60	1.99	3.80	5.62
Static moment	S_y	cm ³	960	–	–	–
Second moment of inertia	I_y	cm ⁴	35200	7910	49280	68255
	I_z	cm ⁴	–	42020	–	–
Radius of gyration	i_y	cm	15.50	8.80	15.50	14.90

1) Section modulus referred:

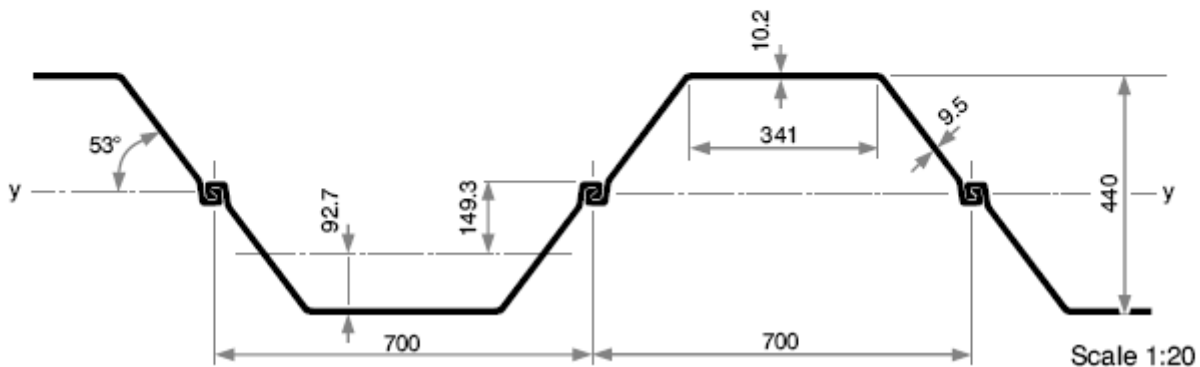
E and Dr – the heavy axis of the respective element; D and per m wall – the wall axis y-y.

The section modulus of D, Dr u. per m wall requires locking of the factory-crimped interlocks to accommodate the shear forces.

2) Including the internal surface of free interlocks of single, double and triple piles.

3) Without interlock interior – two-side coating.

4) Rolling/delivery on request only.



[torna all'inizio](#)

LARSEN 600

Section width per D = 1200 mm

		Unit	Per m wall	Single pile	Double pile	Triple pile
Elastic section modulus¹⁾	W_y	cm ³	510	109	614	705
	W_z	cm ³	–	920	–	–
Plastic section modulus¹⁾	W_p	cm ³	558	–	–	–
Weight		kg/m	94.0	56.4	112.8	169.2
Cross sectional area		cm ²	119.7	71.8	143.6	215.4
Circumference²⁾		cm	225	156	291	426
Coating area³⁾		m ² /m	2.25	1.44	2.79	4.14
Static moment	S_y	cm ³	279	–	–	–
Second moment of inertia	I_y	cm ⁴	3840	736	4610	6370
	I_z	cm ⁴	–	29300	–	–
Radius of gyration	i_y	cm	5.66	3.20	5.66	5.44

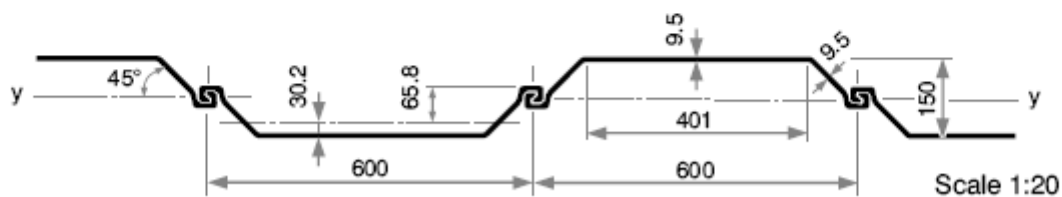
1) Section modulus referred:

E and Dr – the heavy axis of the respective element; D and per m wall – the wall axis y-y.

The section modulus of D, Dr u. per m wall requires locking of the factory-crimped interlocks to accommodate the shear forces.

2) Including the internal surface of free interlocks of single, double and triple piles.

3) Without interlock interior – two-side coating.



[torna all'inizio](#)

LARSEN 601

Section width per D = 1200 mm

		Unit	Per m wall	Single pile	Double pile	Triple pile
Elastic section modulus¹⁾	W_y	cm ³	745	E	D	Dr
	W_z	cm ³	–	830	–	–
Plastic section modulus¹⁾	W_y	cm ³	836	–	–	–
Weight		kg/m	77.2	46.3	92.6	138.9
Cross sectional area		cm ²	98.3	59.0	118.0	177.0
Circumference²⁾		cm	245	172	319	466
Coating area³⁾		m ² /m	2.45	1.60	3.07	4.54
Static moment	S_y	cm ³	418	–	–	–
Second moment of inertia	I_y	cm ⁴	11520	2650	13830	19320
	I_z	cm ⁴	–	26280	–	–
Radius of gyration	i_y	cm	10.83	6.70	10.83	10.44

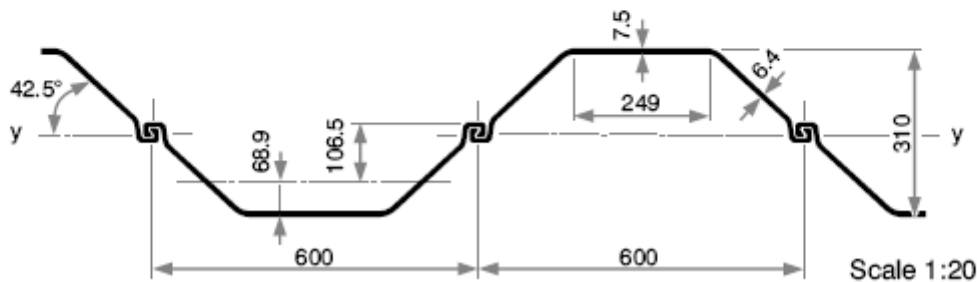
1) Section modulus referred:

E and Dr – the heavy axis of the respective element; D and per m wall – the wall axis y-y.

The section modulus of D, Dr u. per m wall requires locking of the factory-crimped interlocks to accommodate the shear forces.

2) Including the internal surface of free interlocks of single, double and triple piles.

3) Without interlock interior – two-side coating.



[torna all'inizio](#)

LARSEN 602

Section width per D = 1200 mm

	Unit	Per m wall	Single pile	Double pile	Triple pile	
Elastic section modulus¹⁾	W_y	cm ³	830	E 265	D 996	Dr 1170
	W_z	cm ³	–	920	–	–
Plastic section modulus ¹⁾	W_y	cm ³	964	–	–	–
Weight		kg/m	89.0	53.4	106.8	160.2
Cross sectional area		cm ²	113.3	68.0	136.0	204.0
Circumference ²⁾		cm	245	172	319	466
Coating area ³⁾		m ² /m	2.45	1.60	3.07	4.54
Static moment	S_y	cm ³	482	–	–	–
Second moment of inertia	I_y	cm ⁴	12870	2790	15440	21520
	I_z	cm ⁴	–	29160	–	–
Radius of gyration	i_y	cm	10.66	6.41	10.66	10.27

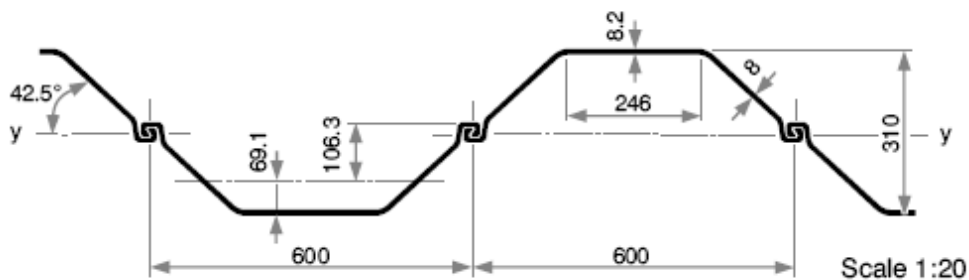
1) Section modulus referred:

E and Dr – the heavy axis of the respective element; D and per m wall – the wall axis y-y.

The section modulus of D, Dr u. per m wall requires locking of the factory-crimped interlocks to accommodate the shear forces.

2) Including the internal surface of free interlocks of single, double and triple piles.

3) Without interlock interior – two-side coating.



[torna all'inizio](#)

LARSEN 603

Section width per D = 1200 mm

	Unit	Per m wall	Single pile	Double pile	Triple pile	
Elastic section modulus ¹⁾	W_y	cm ³	1200	E 330	D 1440	Dr 1670
	W_z	cm ³	–	1130	–	–
Plastic section modulus ¹⁾	W_p	cm ³	1300	–	–	–
Weight		kg/m	108.0	64.8	130.0	194.0
Cross sectional area		cm ²	138.3	83.0	166.0	249.0
Circumference ²⁾		cm	260	181	337	493
Coating area ³⁾		m ² /m	2.60	1.69	3.25	4.81
Static moment	S_y	cm ³	650	–	–	–
Second moment of inertia	I_y	cm ⁴	18600	3830	22320	31050
	I_z	cm ⁴	–	36100	–	–
Radius of gyration	i_y	cm	11.63	6.79	11.63	11.19

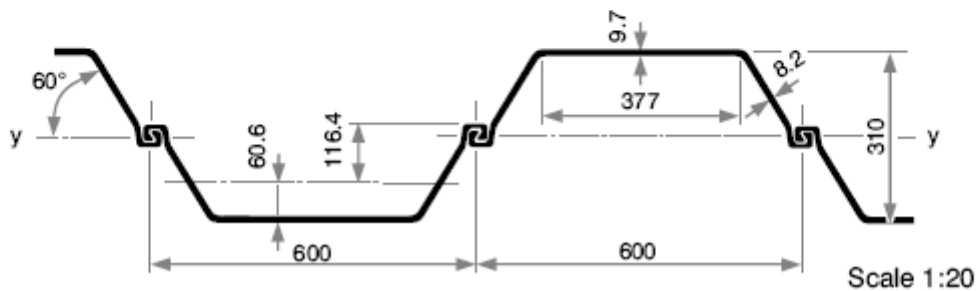
1) Section modulus referred:

E and Dr – the heavy axis of the respective element; D and per m wall – the wall axis y-y.

The section modulus of D, Dr u. per m wall requires locking of the factory-crimped interlocks to accommodate the shear forces.

2) Including the internal surface of free interlocks of single, double and triple piles.

3) Without interlock interior – two-side coating.



[torna all'inizio](#)

LARSEN 604

Section width per D = 1200 mm

	Unit	Per m wall	Single pile	Double pile	Triple pile	
Elastic section modulus¹⁾	W_y	cm ³	1620	425	1940	2240
	W_z	cm ³	–	1320	–	–
Plastic section modulus¹⁾	W_y	cm ³	1822	–	–	–
Weight		kg/m	124.2	74.5	149.0	223.5
Cross sectional area		cm ²	158.3	95.0	190.0	285.0
Circumference ²⁾		cm	282	194	363	532
Coating area ³⁾		m ² /m	2.82	1.82	3.51	5.20
Static moment	S_y	cm ³	911	–	–	–
Second moment of inertia	I_y	cm ⁴	30710	5840	36850	51080
	I_z	cm ⁴	–	42020	–	–
Radius of gyration	i_y	cm	13.93	7.84	13.93	13.39

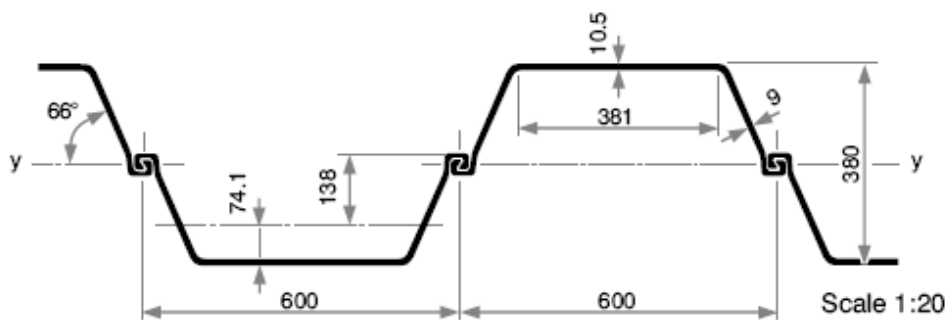
1) Section modulus referred:

E and Dr – the heavy axis of the respective element; D and per m wall – the wall axis y-y.

The section modulus of D, Dr u. per m wall requires locking of the factory-crimped interlocks to accommodate the shear forces.

2) Including the internal surface of free interlocks of single, double and triple piles.

3) Without interlock interior – two-side coating.



[torna all'inizio](#)

LARSEN 605

Section width per D = 1200 mm

	Unit	Per m wall	Single pile	Double pile	Triple pile	
Elastic section modulus¹⁾	W_y	cm ³	2020	520	2420	2790
	W_z	cm ³	–	1420	–	–
Plastic section modulus ¹⁾	W_y	cm ³	2260	–	–	–
Weight		kg/m	139.2	83.5	167.0	250.5
Cross sectional area		cm ²	176.7	106.0	212.0	318.0
Circumference ²⁾		cm	290	200	374	548
Coating area ³⁾		m ² /m	2.90	1.88	3.62	5.36
Static moment	S_y	cm ³	1130	–	–	–
Second moment of inertia	I_y	cm ⁴	42370	7910	50840	70420
	I_z	cm ⁴	–	45350	–	–
Radius of gyration	i_y	cm	15.50	8.62	15.50	14.90

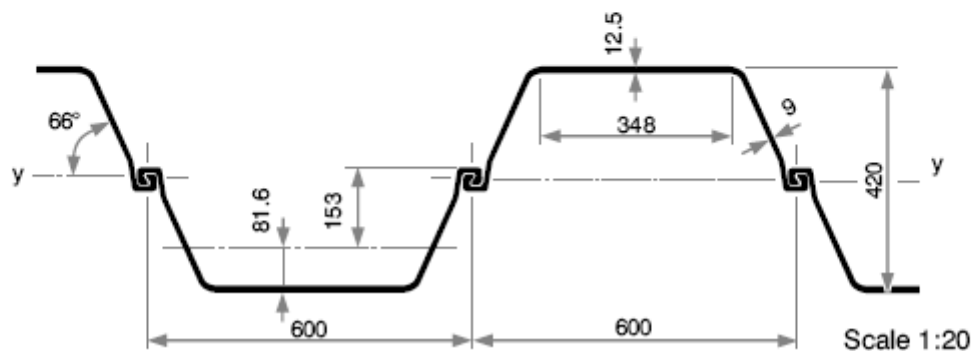
1) Section modulus referred:

E and Dr – the heavy axis of the respective element; D and per m wall – the wall axis y-y.

The section modulus of D, Dr u. per m wall requires locking of the factory-crimped interlocks to accommodate the shear forces.

2) Including the internal surface of free interlocks of single, double and triple piles.

3) Without interlock interior – two-side coating.



[torna all'inizio](#)

LARSEN 43

Section width per D = 1000 mm

	Unit	Per m wall	Single pile	Double pile	Triple pile	
Elastic section modulus¹⁾	W_y	cm ³	1660	483	1660	1990
	W_z	cm ³	–	1204	–	–
Plastic section modulus ¹⁾	W_y	cm ³	2184	–	–	–
Weight		kg/m	166.0	83.0	166.0	249.0
Cross sectional area		cm ²	212	106	212	318
Circumference ²⁾		cm	280	167	308	449
Coating area ³⁾		m ² /m	2.80	1.55	2.96	4.37
Static moment	S_y	cm ³	–	1100	–	–
Second moment of inertia	I_y	cm ⁴	34900	6230	34900	48670
	I_z	cm ⁴	–	32930	–	–
Radius of gyration	i_y	cm	12.80	7.67	12.80	12.40

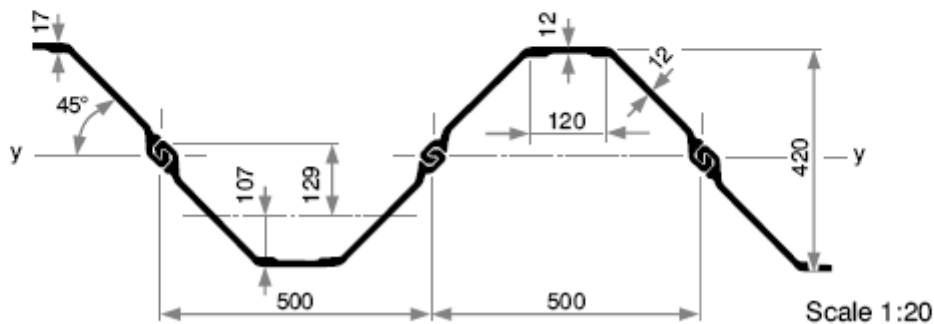
1) Section modulus referred:

E and Dr – the heavy axis of the respective element; D and per m wall – the wall axis y-y.

The section modulus of D, Dr u. per m wall requires locking of the factory-crimped interlocks to accommodate the shear forces.

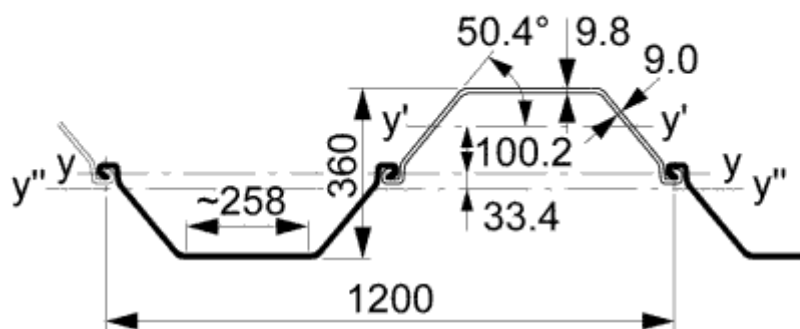
2) Including the internal surface of free interlocks of single, double and triple piles.

3) Without interlock interior – two-side coating.



[torna all'inizio](#)

PU 12

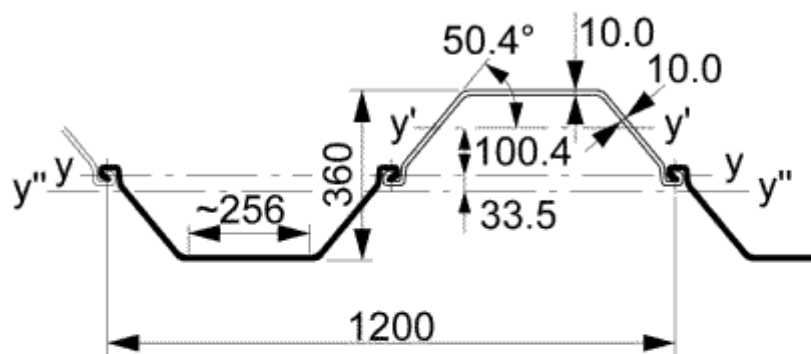


	Area della sezione	Massa per m	Momento d'inerzia	Modulo di resistenza elastico	Raggio giratore d'inerzia	Superficie di rivestimento*
	cm ²	kg/m	cm ⁴	cm ³	cm	m ² /m
Per S	84,2	66,1	4500	370	7,31	0,80
Per D	168,4	132,2	25920	1440	12,41	1,59
Per T	252,6	198,3	36060	1690	11,95	2,38
Per m di muro	140,0	110,1	21600	1200	12,41	1,32

[torna all'inizio](#)

PU 12 10/10

PU 12 10/10

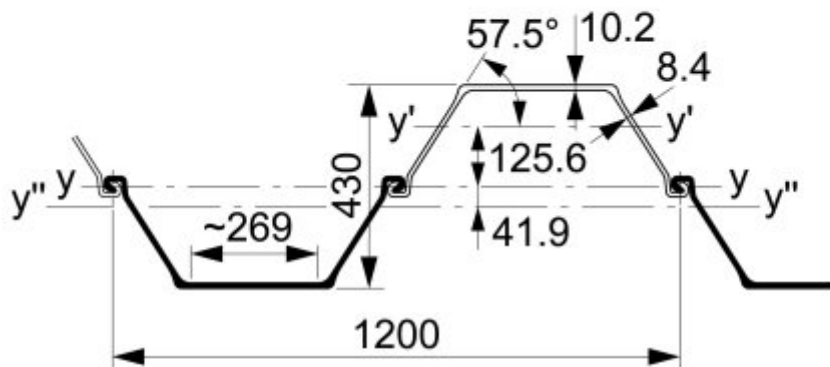


	Area della sezione	Massa per m	Momento d'inerzia	Modulo di resistenza elastico	Raggio giratore d'inerzia	Superficie di rivestimento*
	cm ²	kg/m	cm ⁴	cm ³	cm	m ² /m
Per S	88,7	69,6	4600	377	7,20	0,80
Per D	177,3	139,2	27100	1505	12,36	1,59
Per T	266,0	208,8	37670	1765	11,90	2,38
Per m di muro	147,8	116,0	22580	1255	12,36	1,32

[torna all'inizio](#)

PU 18¹

PU 18⁻¹

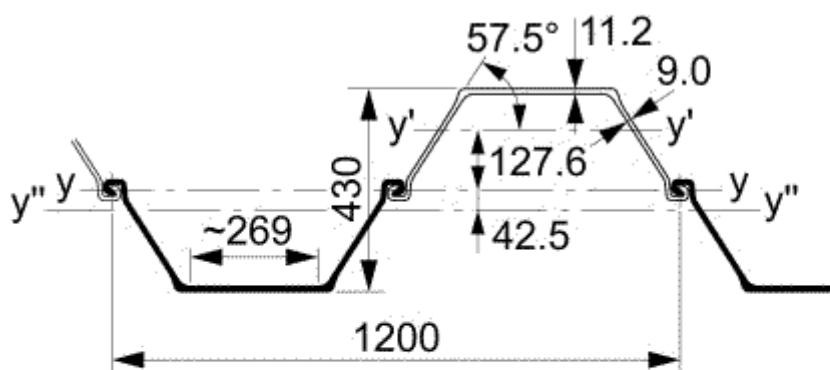


	Area della sezione	Massa per m	Momento d'inerzia	Modulo di resistenza elastico	Raggio giratore d'inerzia	Superficie di rivestimento*
	cm ²	kg/m	cm ⁴	cm ³	cm	m ² /m
Per S	92,5	72,6	6960	473	8,67	0,87
Per D	185,0	145,2	43140	2005	15,30	1,72
Per T	277,5	217,8	59840	2330	14,69	2,58
Per m di muro	154,2	121,0	35950	1670	15,30	1,43

[torna all'inizio](#)

PU 18

PU 18

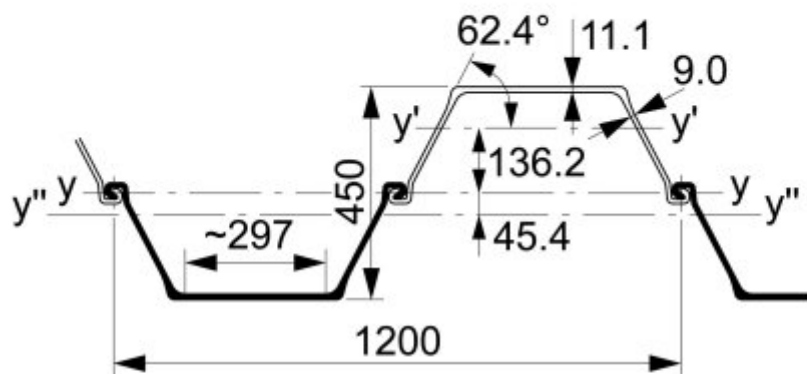


	Area della sezione	Massa per m	Momento d'inerzia	Modulo di resistenza elastico	Raggio giratore d'inerzia	Superficie di rivestimento*
	cm ²	kg/m	cm ⁴	cm ³	cm	m ² /m
Per S	98,0	76,9	7220	484	8,58	0,87
Per D	196,0	153,8	46380	2160	15,38	1,72
Per T	294,0	230,7	64240	2495	14,78	2,58
Per m di muro	163,3	128,2	38650	1800	15,38	1,43

[torna all'inizio](#)

PU 22⁻¹

PU 22⁻¹

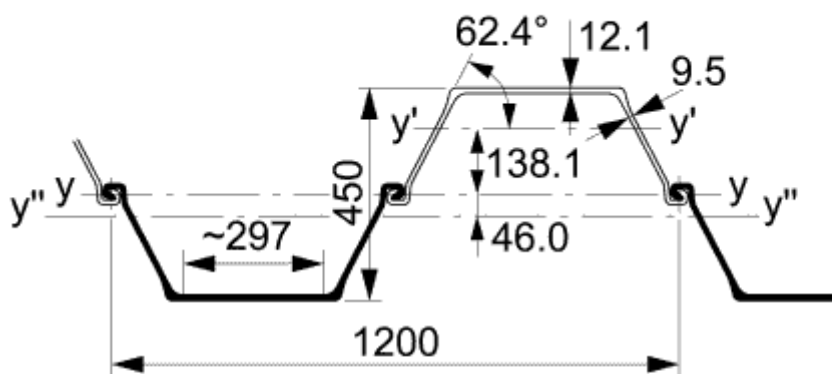


	Area della sezione	Massa per m	Momento d'inerzia	Modulo di resistenza elastico	Raggio giratore d'inerzia	Superficie di rivestimento*
	cm ²	kg/m	cm ⁴	cm ³	cm	m ² /m
Per S	104,3	81,9	8460	535	9,01	0,90
Per D	208,7	163,8	55650	2475	16,33	1,79
Per T	313,0	245,7	77020	2850	15,69	2,68
Per m di muro	173,9	136,5	46380	2060	16,33	1,49

[torna all'inizio](#)

PU 22

PU 22

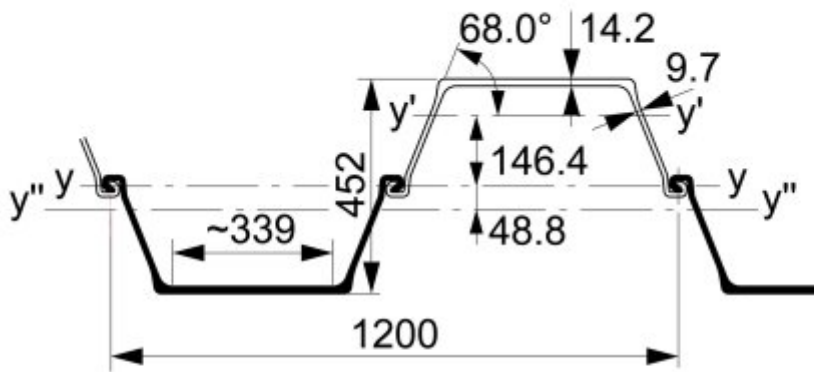


	Area della sezione	Massa per m	Momento d'inerzia	Modulo di resistenza elastico	Raggio giratore d'inerzia	Superficie di rivestimento*
	cm ²	kg/m	cm ⁴	cm ³	cm	m ² /m
Per S	109,7	86,1	8740	546	8,93	0,90
Per D	219,5	172,3	59360	2640	16,45	1,79
Per T	329,2	258,4	82060	3025	15,79	2,68
Per m di muro	182,9	143,6	49460	2200	16,45	1,49

[torna all'inizio](#)

PU 28⁻¹

PU 28⁻¹

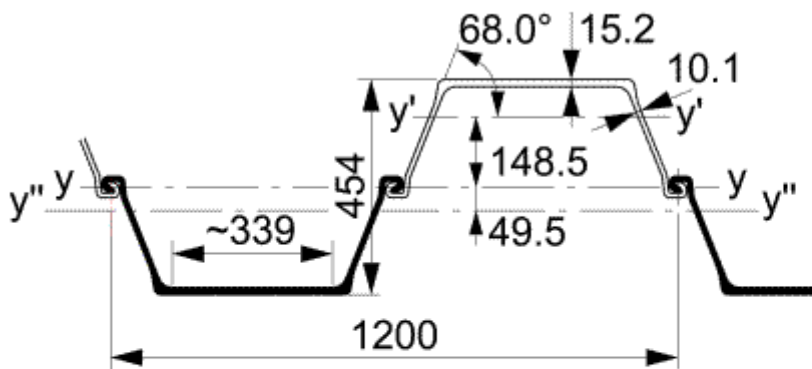


	Area della sezione	Massa per m	Momento d'inerzia	Modulo di resistenza elastico	Raggio giratore d'inerzia	Superficie di rivestimento*
	cm ²	kg/m	cm ⁴	cm ³	cm	m ² /m
Per S	124,1	97,4	9740	576	8,86	0,93
Per D	248,2	194,8	72700	3215	17,12	1,85
Per T	372,3	292,2	100170	3645	16,40	2,77
Per m di muro	206,8	162,3	60580	2680	17,12	1,54

[torna all'inizio](#)

PU 28

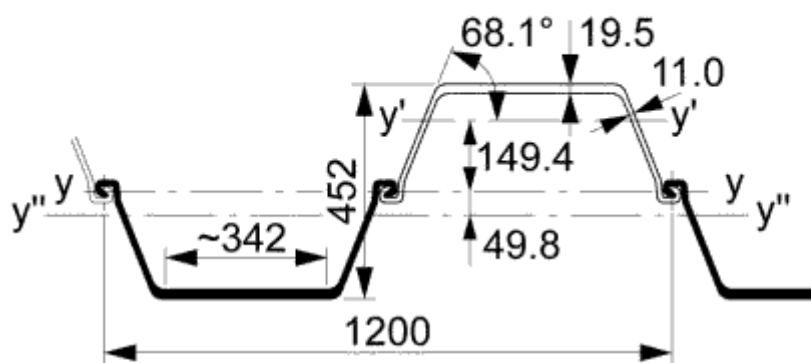
PU 28



	Area della sezione	Massa per m	Momento d'inerzia	Modulo di resistenza elastico	Raggio giratore d'inerzia	Superficie di rivestimento*
	cm ²	kg/m	cm ⁴	cm ³	cm	m ² /m
Per S	129,7	101,8	10070	589	8,81	0,93
Per D	259,4	203,6	77350	3405	17,27	1,85
Per T	44,80	205,22	2558,4	234,9	6,52	9,09
Per m di muro	10,21	34,74	472,0	52,8	6,80	1,54

[torna all'inizio](#)

PU 32



	Area della sezione	Massa per m	Momento d'inerzia	Modulo di resistenza elastico	Raggio giratore d'inerzia	Superficie di rivestimento*
	cm ²	kg/m	cm ⁴	cm ³	cm	m ² /m
Per S	145,4	114,1	10950	633	8,68	0,92
Per D	290,8	228,3	86790	3840	17,28	1,83
Per T	436,2	342,4	119370	4330	16,54	2,74
Per m di muro	242,0	190,2	72320	3200	17,28	1,52

[torna all'inizio](#)